





SURFACE **FINISHING**

Fine Grinding Tools, Burnishing Wheels

FINE-GRINDING TOOL - BENCHSTONE

DEGUSSIT DD57
DEGUSSIT AL24

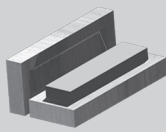


Dimensions (mm)	Colour	Type	Product No. DEGUSSIT DD57
100 x 25 x 10	ruby red	fine	901-41100-0
100 x 25 x 10	ruby red	medium	902-41100-0
150 x 25 x 15	ruby red	fine	901-41101-0
150 x 25 x 15	ruby red	medium	902-41101-0
200 x 50 x 12	ruby red	fine	901-41102-0
200 x 50 x 12	ruby red	medium	902-41102-0

Dimensions (mm)	Colour	Type	Product No. DEGUSSIT AL24
100 x 25 x 10	white	coarse	903-21100-0
150 x 25 x 15	white	coarse	903-21101-0

FINE-GRINDING TOOL - BENCHSTONE IN WOODEN CASE, REMOVABLE

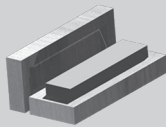
DEGUSSIT DD57
DEGUSSIT AL24



Dimensions (mm)	Colour	Type	Product No.
120 x 50 x 10	ruby red	fine / medium	904-41111-0

FINE-GRINDING TOOL - BENCHSTONE IN WOODEN CASE, GLUED IN

DEGUSSIT DD57
DEGUSSIT AL24



Dimensions (mm)	Colour	Type	Product No. DEGUSSIT DD57
100 x 25 x 10	ruby red	fine	901-41110-0
100 x 25 x 10	ruby red	medium	902-41110-0
120 x 50 x 10	ruby red	fine	901-41111-0
120 x 50 x 10	ruby red	medium	902-41111-0
200 x 50 x 12	ruby red	fine	901-41112-0
200 x 50 x 12	ruby red	medium	902-41112-0

Dimensions (mm)	Colour	Type	Product No. DEGUSSIT AL24
100 x 25 x 10	white	coarse	903-21110-0

FINE-GRINDING TOOL - TRIANGULAR

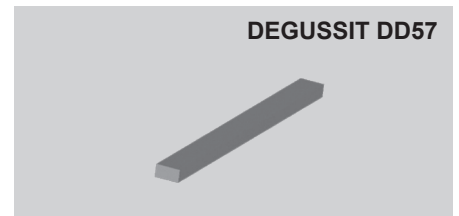
DEGUSSIT DD57



Dimensions (mm)	Colour	Type	Product No.
100 x 4	ruby red	fine	901-41200-0
100 x 4	ruby red	medium	902-41200-0
100 x 6	ruby red	fine	901-41201-0
100 x 6	ruby red	medium	902-41201-0
100 x 6	ruby red	coarse	903-44201-0
100 x 8	ruby red	fine	901-41202-0
100 x 8	ruby red	medium	902-41202-0
100 x 8	ruby red	coarse	903-44202-0
100 x 10	ruby red	fine	901-41203-0
100 x 10	ruby red	medium	902-41203-0
100 x 10	ruby red	coarse	903-44203-0
120 x 13	ruby red	fine	901-41205-0
120 x 13	ruby red	medium	902-41205-0
120 x 13	ruby red	coarse	903-44205-0

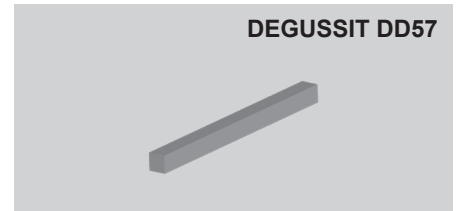
FINE-GRINDING TOOL - RECTANGULAR

Dimensions (mm)	Colour	Type	Product No.
100 x 6 x 3	ruby red	fine	901-41220-0
100 x 6 x 3	ruby red	medium	902-41220-0
100 x 8 x 6	ruby red	fine	901-41221-0
100 x 8 x 6	ruby red	medium	902-41221-0
100 x 8 x 6	ruby red	coarse	903-44221-0



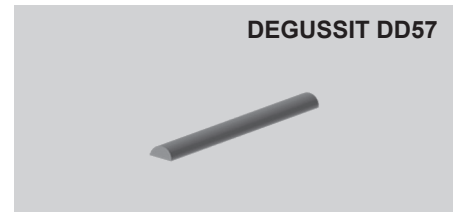
FINE-GRINDING TOOL - SQUARE

Dimensions (mm)	Colour	Type	Product No.
100 x 4	ruby red	fine	901-41210-0
100 x 4	ruby red	medium	902-41210-0
100 x 6	ruby red	fine	901-41211-0
100 x 6	ruby red	medium	902-41211-0
100 x 6	ruby red	coarse	903-44211-0
100 x 8	ruby red	fine	901-41212-0
100 x 8	ruby red	medium	902-41212-0
100 x 8	ruby red	coarse	903-44212-0
100 x 10	ruby red	fine	901-41213-0
100 x 10	ruby red	medium	902-41213-0
100 x 10	ruby red	coarse	903-44213-0
120 x 13	ruby red	fine	901-41214-0
120 x 13	ruby red	medium	902-41214-0
120 x 13	ruby red	coarse	903-44214-0



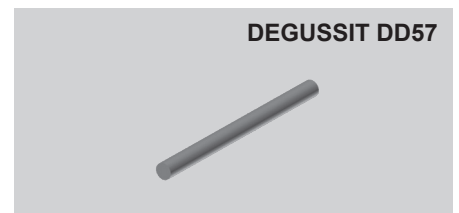
FINE-GRINDING TOOL - SEMI-CIRCULAR

Dimensions (mm)	Colour	Type	Product No.
100 x 10	ruby red	medium	902-41231-0
100 x 10	ruby red	coarse	903-44231-0



FINE-GRINDING TOOL - CIRCULAR

Dimensions (mm)	Colour	Type	Product No.
100 x 4	ruby red	fine	901-41270-0
100 x 4	ruby red	medium	902-41270-0
100 x 6	ruby red	fine	901-41271-0
100 x 6	ruby red	medium	902-41271-0
100 x 6	ruby red	coarse	903-44271-0
100 x 8	ruby red	fine	901-41272-0
100 x 8	ruby red	medium	902-41272-0
100 x 8	ruby red	coarse	903-44272-0
100 x 10	ruby red	fine	901-41273-0
100 x 10	ruby red	medium	902-41273-0
100 x 10	ruby red	coarse	903-44273-0



ASSORTMENT OF FILES



	Dimensions (mm)	Colour	Type	Product No.
			Assortment	900-00700-0
▲	100 x 10	ruby red	medium	902-41203-0
■	100 x 10	ruby red	medium	902-41213-0
■	100 x 8 x 6	ruby red	coarse	903-44221-0
●	100 x 6	ruby red	medium	902-41271-0
◐	100 x 10	ruby red	coarse	903-44231-0

The Files are also available separately

ASSORTMENT OF FILES - MIDGET FILES

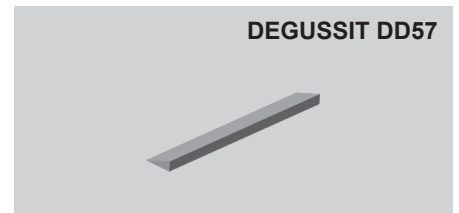


	Dimensions (mm)	Colour	Type	PU pcs.	Product No.
			Assortment		900-41420-0
▲	50 x 2	ruby red	fine	20	901-41402-0
▲	100 x 3	ruby red	fine	10	901-41413-0
■	50 x 1	ruby red	fine	20	901-41400-0
■	100 x 2	ruby red	fine	10	901-41403-0
■	50 x 3 x 0,3	ruby red	fine	20	901-41406-0
●	50 x 1	ruby red	fine	20	901-41401-0
●	100 x 2	ruby red	fine	10	901-41404-0
●	100 x 3	ruby red	fine	10	901-41405-0
◐	100 x 4	ruby red	fine	10	901-41407-0
▲	100 x 5 x 1,5	ruby red	fine	10	901-41409-0
●	100 x 4 x 1,5	ruby red	fine	10	901-41411-0

The files are also available separately

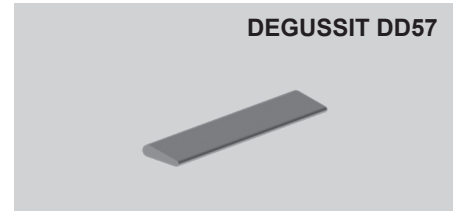
FINE-GRINDING TOOL - BLADE

Dimensions (mm)	Colour	Type	Product No.
100 x 15 x 3/0,5	ruby red	fine	901-41291-0
100 x 15 x 3/0,5	ruby red	medium	902-41291-0



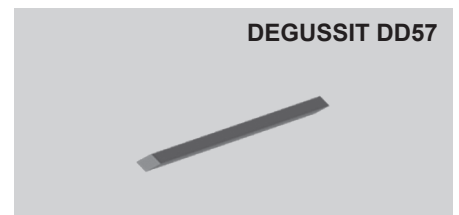
FINE-GRINDING TOOL - TAPERED

Dimensions (mm)	Colour	Type	Product No.
100 x 30 x 7/2	ruby red	medium	902-41105-0



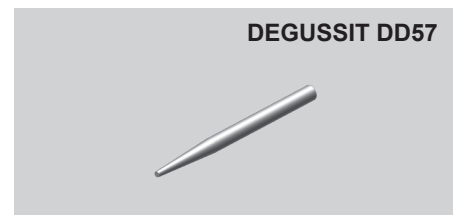
FINE-GRINDING TOOL - RHOMBOID

Dimensions (mm)	Colour	Type	Product No.
100 x 13 x 5	ruby red	coarse	903-44240-0



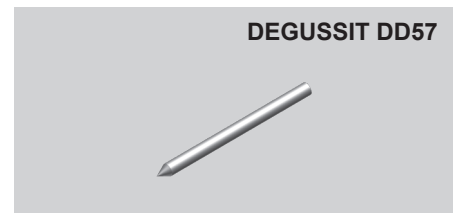
FINE-GRINDING TOOL - CONICAL

Dimensions (mm)	Colour	Type	Product No.
100 x 5 x 2	ruby red	fine	901-41255-0
100 x 5 x 2	ruby red	coarse	903-44255-0



FINE-GRINDING TOOL - PENCIL

Dimensions (mm)	Colour	Type	Product No.
100 x 5	ruby red	fine	901-41261-0



FINE-GRINDING TOOL - MOUNTED POINT, CYLINDRICAL



H	Ø D	Ø d	Type	Product No.
4	2	2,35	fine	921-41002-1
4	2	3	fine	921-41002-0
6	3	2,35	fine	921-41003-1
6	3	3	fine	921-41003-0
8	4	2,35	fine	921-41104-1
8	4	3	fine	921-41104-0
10	5	3	fine	921-41110-0
12	6	6	fine	921-41116-0
10	8	6	fine	921-41128-0
16	8	6	fine	921-41136-0
12	10	6	fine	921-41150-0
4	2	2,35	medium	922-44002-1
4	2	3	medium	922-44002-0
6	3	2,35	medium	922-44003-1
6	3	3	medium	922-44003-0
8	4	2,35	medium	922-44104-1
8	4	3	medium	922-44104-0
10	5	3	medium	922-44110-0
12	6	6	medium	922-44116-0
10	8	6	medium	922-44128-0
16	8	6	medium	922-44136-0
12	10	6	medium	922-44150-0
Order-Related Product				

FINE-GRINDING TOOL - MOUNTED POINT, CYLINDRICAL-CONICAL



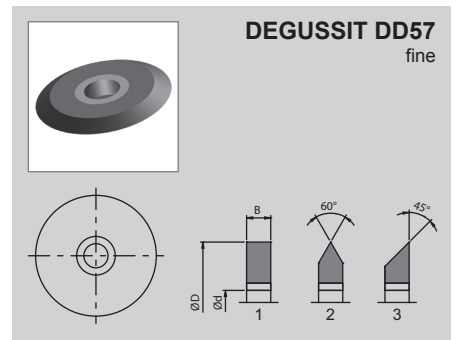
H	Ø D	Ø d	Type	Product No.
8	4	2,35	fine	921-41204-1
8	4	3	fine	921-41204-0
10	5	3	fine	921-41210-0
12	6	6	fine	921-41216-0
16	8	6	fine	921-41236-0
20	10	6	fine	921-41255-0
8	4	2,35	medium	922-44204-1
8	4	3	medium	922-44204-0
10	5	3	medium	922-44210-0
12	6	6	medium	922-44216-0
16	8	6	medium	922-44236-0
20	10	6	medium	922-44255-0
Order-Related Product				

FINE-GRINDING WHEELS

B	Ø D	Ø d	Design	Product No.
3	75	20	with metal bushing	911-41373-0
4	75	20	with metal bushing	911-41374-0
6	75	20	with metal bushing	911-41376-0
8	75	20	with metal bushing	911-41378-0
10	75	20	with metal bushing	911-41380-0
8	100	32	with metal bushing	911-41488-0
10	100	32	with metal bushing	911-41490-0
3	75	30	without metal bushing	911-41373-7
4	75	30	without metal bushing	911-41374-7
6	75	30	without metal bushing	911-41376-7
8	75	30	without metal bushing	911-41378-7
10	75	30	without metal bushing	911-41380-7
8	100	42	without metal bushing	911-41488-7
10	100	42	without metal bushing	911-41490-7

Order-Related Product

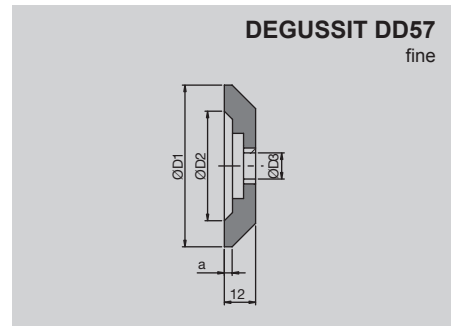
Profile 2 and 3 upon request



BURNISHING WHEELS

Ø D1	Ø D2	Ø D3	a	Product No.
62	42	10	3	931-41906-1
62	42	10	4	931-41906-2
62	42	10	6	931-41906-3

Order-Related Product



BURNISHING WHEELS

Ø D1	Ø D2	Ø D3	a	Product No.
70	60	10	8	931-41970-4
70	60	10	10	931-41970-5
70	60	10	12	931-41970-6
70	60	10	15	931-41970-7
80	60	10	8	931-41980-4
80	60	10	10	931-41980-5
80	60	10	12	931-41980-6
80	60	10	15	931-41980-7

Order-Related Product

